



KULTHORN KIRBY PUBLIC CO.,LTD.

TECHNICAL SPECIFICATION

UNCONTROLLED COPY

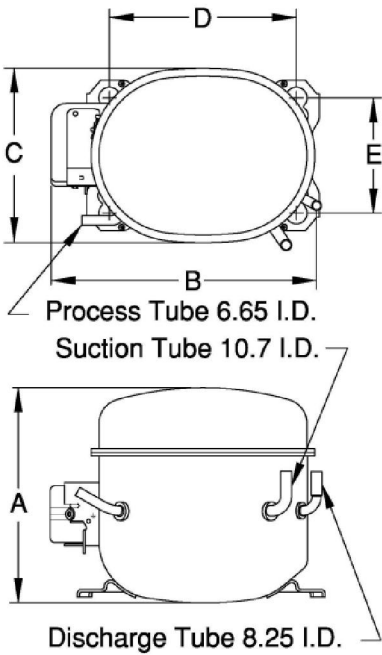
**HERMETIC
COMPRESSOR**

AE 2425ZK-SR

BOM ID 23N-A0

High Torque Start

PRINCIPAL DIMENSIONS - mm



A	216
B	242
C	155
D	165
E	102

ELECTRICAL : 220-240 Volt. 50 Hz. 1 Phase

Nominal Performance

Cooling Capacity :	613	Watts (2,092)	BTU/Hr
	527	Kcal/Hr	
Power Input :	488	Watts	
Lock Rotor Amps :	16.3	Amps	
Rated Load Amps :	2.71	Amps	
COP (EER) :	1.26	Watts/Watts (4.29)	BTU/ W-Hr

Testing Conditions

Condensing Temperature :	54.4	°C
Evaporating Temperature :	-23.3	°C
Liquid Temperature :	32.2	°C
Return Gas Temperature :	32.2	°C
Ambient Temperature :	32.2	°C

Application

Evaporating Range :	LBP @ -40 °C to -12.2 °C
Refrigerant :	R404A/R507
Expansion :	Capillary Tube
Compressor Cooling :	Fan

Compressor and Motor data

Compressor Type :	Reciprocating
Displacement :	14.14 cc.
Oil Type :	Polyolester Oil
Oil Charge :	437 cc.
Motor Type :	C.S.R. ; 2 Pole 2880 rpm
Voltage Range :	187 - 264 Volts 50 Hz.
Winding Resistance at 25 °C	
Start :	10.00 Ohms
Run :	4.40 Ohms
Weight with Oil :	11.75 Kg.
Weight with Oil and Accessories :	12.14 Kg.

Electrical Components

Motor Protector :

Type :	External 3/4"
Model Number :	KME 660-8/C
Open / Close :	100-110 / 78-60 °C
1st Cycle trip at 25 °C :	11 Amps

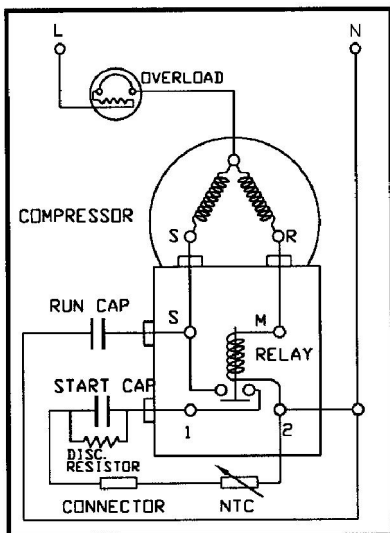
Motor Starter :

Type :	Current Relay
Model Number :	KME 682-16NT
Pick Up (max.) :	7.70 Amps
Drop Out(min.) :	6.75 Amps
Terminal Cover :	KMD 901-12
Start Capacitor :	36-43 μF 330 VAC.
Disch. Resistor for Start Cap :	15000 Ohms 2 W
Run Capacitor :	8 μF 450 VAC.

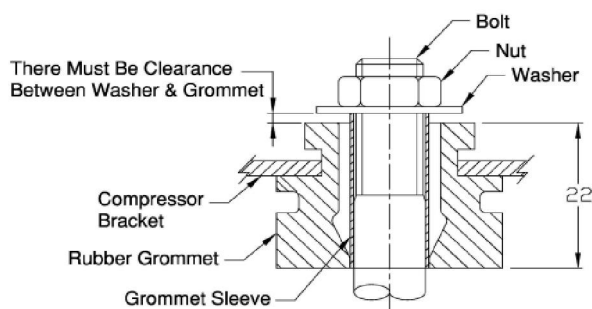
Mounting Kit

Rubber Grommet :	KMD 905-3	Earth Plug :
Sleeve Grommet :	KMD 903-2	Earth Screw :
Washer :	KEB 387	Washer Lock:

SCHEMATIC WIRING DIAGRAM C.S.R.



MOUNTING KIT



Since we are constantly improving our product ,
the specification are subject to change without notice.

REV. DATE

05-10-12

C / N No.

0462/12